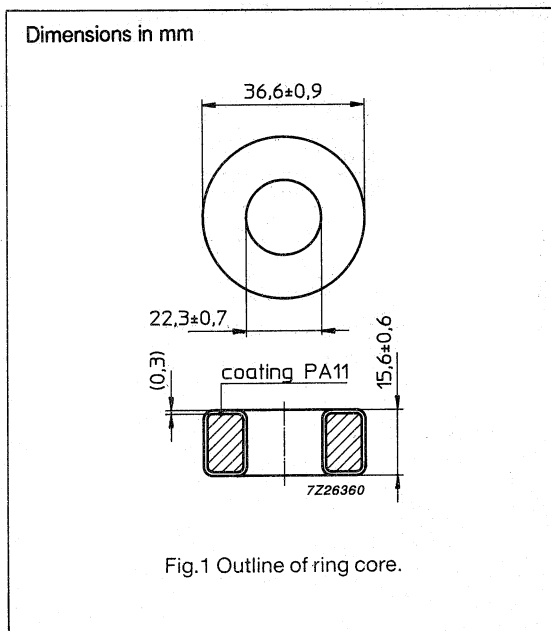


Ferrite ring cores

RCC36/15



EFFECTIVE CORE PARAMETERS

SYMBOL	PARAMETER	VALUE	UNIT
$\Sigma(l/A)$	core factor (C1)	0.935	mm ⁻¹
V_e	effective volume	8596	mm ³
l_e	effective length	89.6	mm
A_e	effective area	95.9	mm ²
	mass	≈ 42	g

Coating: Polyamide 11 (PA11), flame retardant in accordance with UL94V-2

NON-COATED CORES ARE AVAILABLE ON REQUEST

GRADE	A_L (nH)	COLOUR CODE	ORDERING CODE
4C65	170 ± 25%	violet	4322 020 9720
4A11	940 ± 25%	pink	4330 030 3445
3C85	2700 ± 25%	red	4330 030 3787
3F3	2420 ± 25%	blue	4330 030 3502
3C11	5800 ± 25%	white	4330 030 3756
3E25	7390 ± 25%	orange	4330 030 3422
3R1	1000 ± 25%	black	4330 030 3431
3E5*	11400 ± 30%	yellow/white	4330 030 3528

PROPERTIES OF CORES UNDER POWER CONDITIONS

GRADE	B (mT) at $H = 250$ A/m; $f = 25$ kHz; $T = 100$ °C	P (W) at $f = 25$ kHz; $\hat{B} = 200$ mT; $T = 100$ °C	P (W) at $f = 100$ kHz; $\hat{B} = 100$ mT; $T = 100$ °C	P (W) at $f = 400$ kHz; $\hat{B} = 50$ mT; $T = 100$ °C
3C85	≥ 320	≤ 1.4	≤ 1.6	–
3F3	≥ 320	–	≤ 0.95	≤ 1.7

* Ring cores in 3E5 are lacquered (polyurethane) and therefore have different dimensions.

Outside diameter = 36.25 ± 0.9 mm

Inside diameter = 22.75 ± 0.7 mm

Height = 15.25 ± 0.6 mm